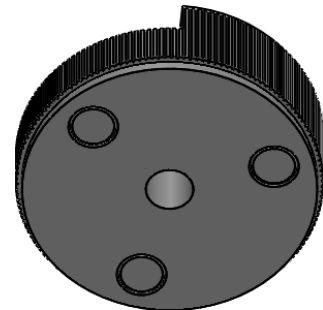
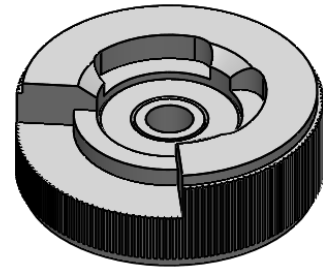
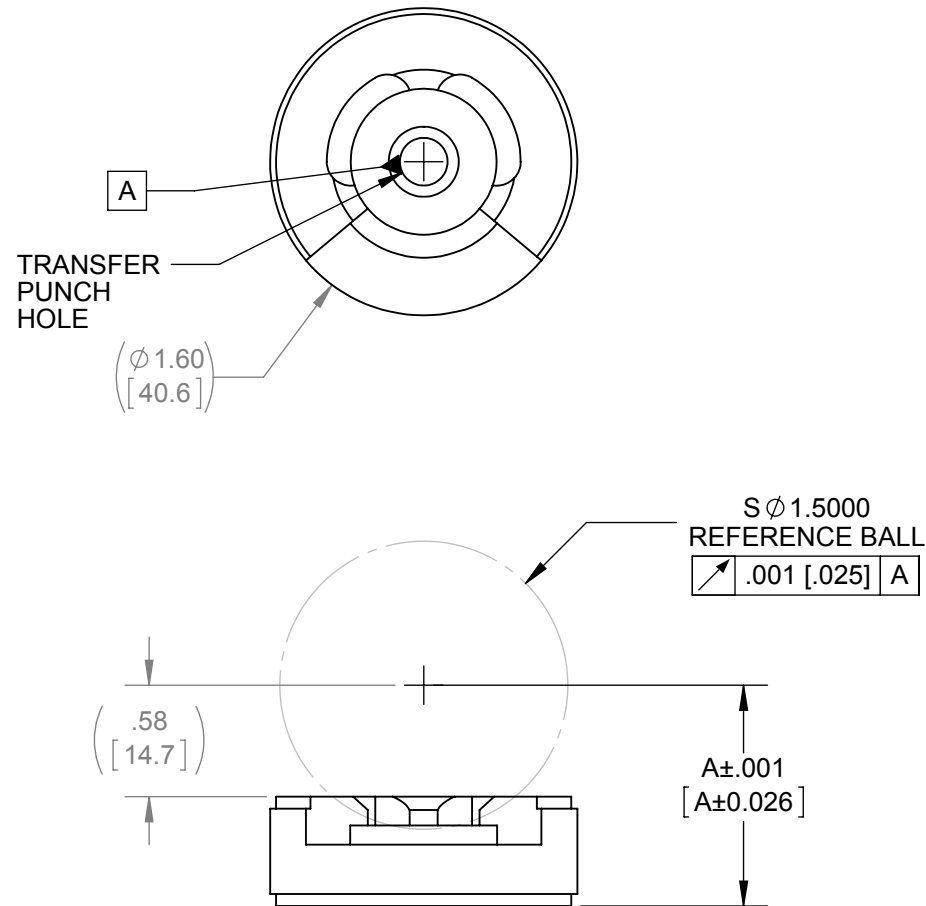


Item Number Format: 1.5THCP-"A"

Standard Items: 1.5THCP-1.15
1.5THCP-29MM



TRANSFER PUNCH IS INCLUDED.

DIMENSIONS:

INCH X.XX
MM [X.XX]
REFERENCE (X.XX)

PROPRIETARY AND CONFIDENTIAL
THE INFORMATION CONTAINED IN THIS DRAWING IS THE SOLE PROPERTY OF BRUNSON INSTRUMENT COMPANY. ANY REPRODUCTION IN PART OR AS A WHOLE WITHOUT THE WRITTEN PERMISSION OF BRUNSON INSTRUMENT COMPANY IS PROHIBITED.



Brunson Instrument Company
8000 E. 23rd Street
Kansas City, MO 64129

Tel: 800-445-9405
Fax: 816-241-1945
Email: Sales@Brunson.us

TITLE: 1.5THCP SERIES CENTER PUNCH

MATERIAL: STAINLESS STEEL

HARDNESS: HRC 42-45

FINISH: MACHINED

WEIGHT (ESTIMATED)

0.230 LBS

SIZE

A

DATE:

SCALE: 1:1