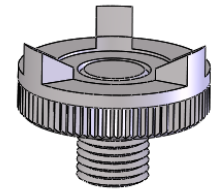
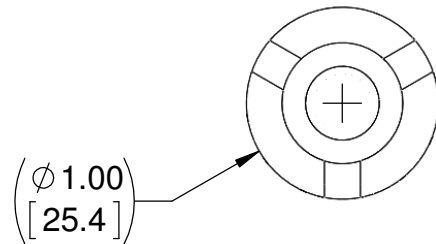
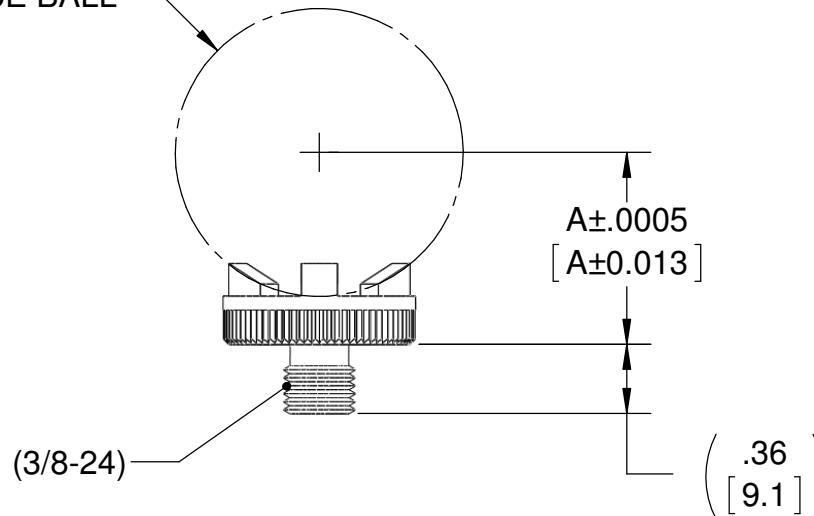


Item Number Format: 1.5INV-"A"

Standard options: 1.5INV-1  
1.5INV-25MM



S Ø 1.5000  
REFERENCE BALL



DIMENSIONS:

INCH X.XX  
MM [X.XX]  
REFERENCE (X.XX)



Brunson Instrument Company  
8000 E. 23rd Street  
Kansas City, MO 64129

Tel: 800-445-9405  
Fax: 816-241-1945  
Email: Sales@Brunson.us

TITLE: 1.5INV SERIES RETROREFLECTOR ADAPTER

MATERIAL: STAINLESS STEEL

HARDNESS: HRC 42-45

FINISH: MACHINED

WEIGHT (ESTIMATED)

0.064 LBS

SIZE

**A**

DATE: 1/13/2014

SCALE: 1:1

**PROPRIETARY AND CONFIDENTIAL**  
THE INFORMATION CONTAINED IN THIS DRAWING IS THE SOLE PROPERTY OF BRUNSON INSTRUMENT COMPANY. ANY REPRODUCTION IN PART OR AS A WHOLE WITHOUT THE WRITTEN PERMISSION OF BRUNSON INSTRUMENT COMPANY IS PROHIBITED.